

ENVELOPE: 360B
LOCATION PLAN - ATHENS-HOCKINGPORT-
POMEROY-MARIETTA ROAD
ROUTES 50 & 7
ATH-50-34.44

54148

LOCATION PLAN ATHENS - HOCKINGPORT ROAD AND POMEROY-MARIETTA ROAD U.S.R. 50 SEC. 34.44 & S.R. 7 SEC. 1.21 ATHENS COUNTY, OHIO TROY TWP. R-II, T-5, SEC'S. 26, 27, & 32

Received July 3, 1961 9 A.M.
Recorded July 17, 1961
Book 8 Page 27
Claudia E. Chappel
County Recorder Feb 7, 62

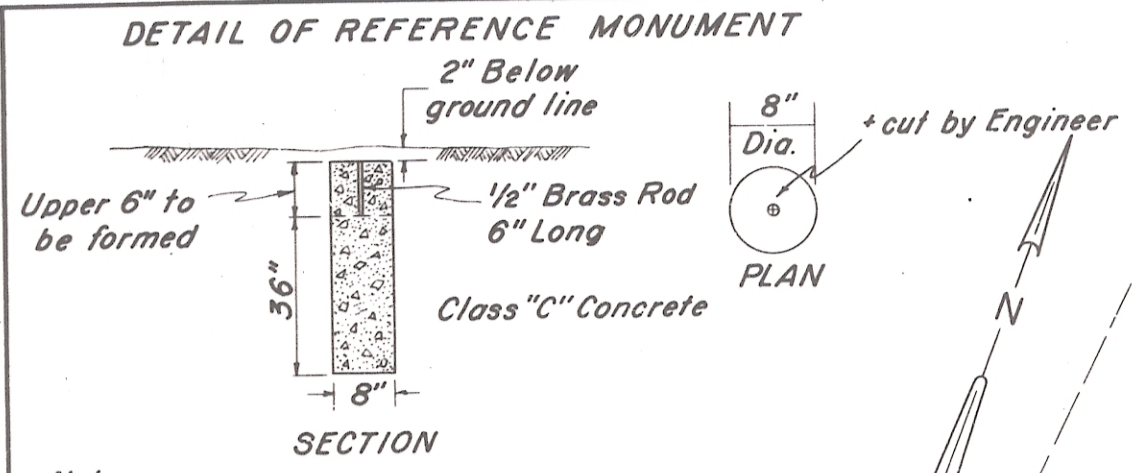
FED. RD. DIVISION	STATE	PROJECT
2	OHIO	

ATH-50-3444
ATH-7-1.21

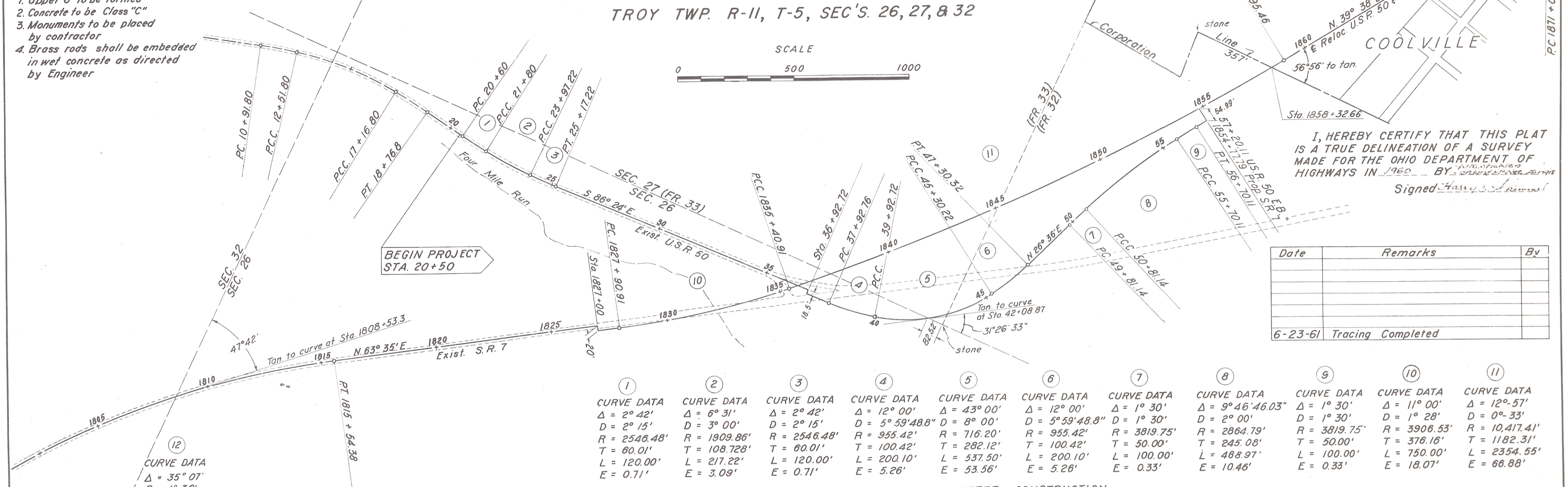
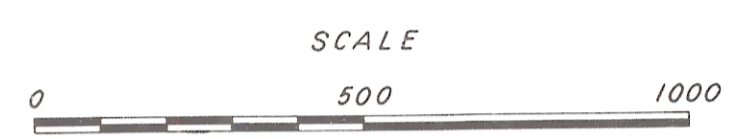
END PROJECT
STA. 1872 + 00

Signed: Harry C. Schimmel
Date: 6/29/61

LIMITED ACCESS



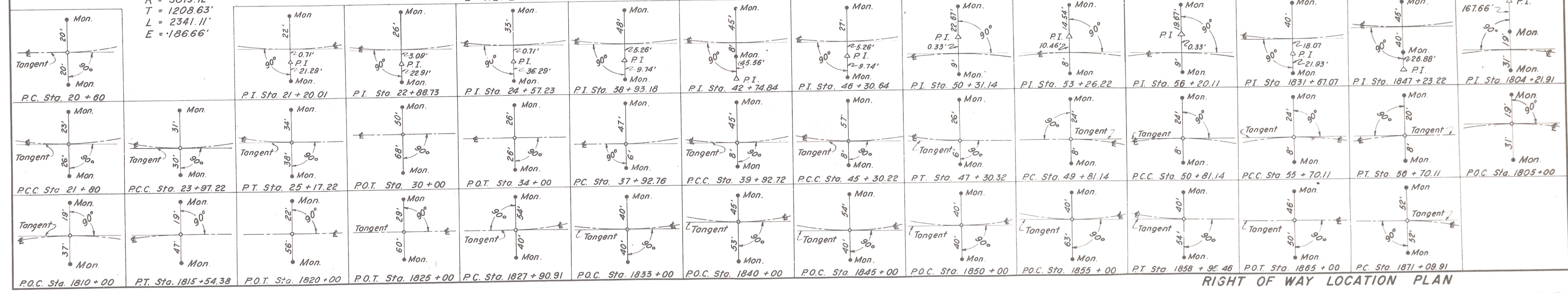
- Notes:
1. Upper 6" to be formed
2. Concrete to be Class "C"
3. Monuments to be placed by contractor
4. Brass rods shall be embedded in wet concrete as directed by Engineer



Date	Remarks	By
6-23-61	Tracing Completed	

1	2	3	4	5	6	7	8	9	10	11
CURVE DATA	CURVE DATA	CURVE DATA	CURVE DATA	CURVE DATA	CURVE DATA	CURVE DATA	CURVE DATA	CURVE DATA	CURVE DATA	CURVE DATA
$\Delta = 2^\circ 42'$	$\Delta = 6^\circ 31'$	$\Delta = 2^\circ 42'$	$\Delta = 12^\circ 00'$	$\Delta = 43^\circ 00'$	$\Delta = 12^\circ 00'$	$\Delta = 1^\circ 30'$	$\Delta = 9^\circ 46' 46.03''$	$\Delta = 1^\circ 30'$	$\Delta = 11^\circ 00'$	$\Delta = 12^\circ 57'$
$D = 2^\circ 15'$	$D = 3^\circ 00'$	$D = 2^\circ 15'$	$D = 5^\circ 59' 48.8''$	$D = 8^\circ 00'$	$D = 5^\circ 59' 48.8''$	$D = 1^\circ 30'$	$D = 2^\circ 00'$	$D = 1^\circ 30'$	$D = 1^\circ 28'$	$D = 0^\circ 33'$
$R = 2546.48'$	$R = 1909.86'$	$R = 2546.48'$	$R = 955.42'$	$R = 716.20'$	$R = 955.42'$	$R = 3819.75'$	$R = 2864.79'$	$R = 3819.75'$	$R = 3906.53'$	$R = 10,417.41'$
$L = 60.01'$	$L = 108.728'$	$L = 60.01'$	$L = 100.42'$	$L = 200.10'$	$L = 100.42'$	$L = 50.00'$	$L = 488.97'$	$L = 50.00'$	$L = 100.00'$	$L = 750.00'$
$T = 217.22'$	$T = 217.22'$	$T = 60.01'$	$T = 100.42'$	$T = 537.50'$	$T = 100.42'$	$T = 50.00'$	$T = 104.46'$	$T = 50.00'$	$T = 376.16'$	$T = 1182.31'$
$E = 0.71'$	$E = 3.09'$	$E = 0.71'$	$E = 5.26'$	$E = 53.56'$	$E = 5.26'$	$E = 0.33'$	$E = 10.46'$	$E = 0.33'$	$E = 18.07'$	$E = 66.88'$

REFERENCE MONUMENTS AS PER SKETCH TO BE SET BEFORE OR AFTER CONSTRUCTION



RIGHT OF WAY LOCATION PLAN