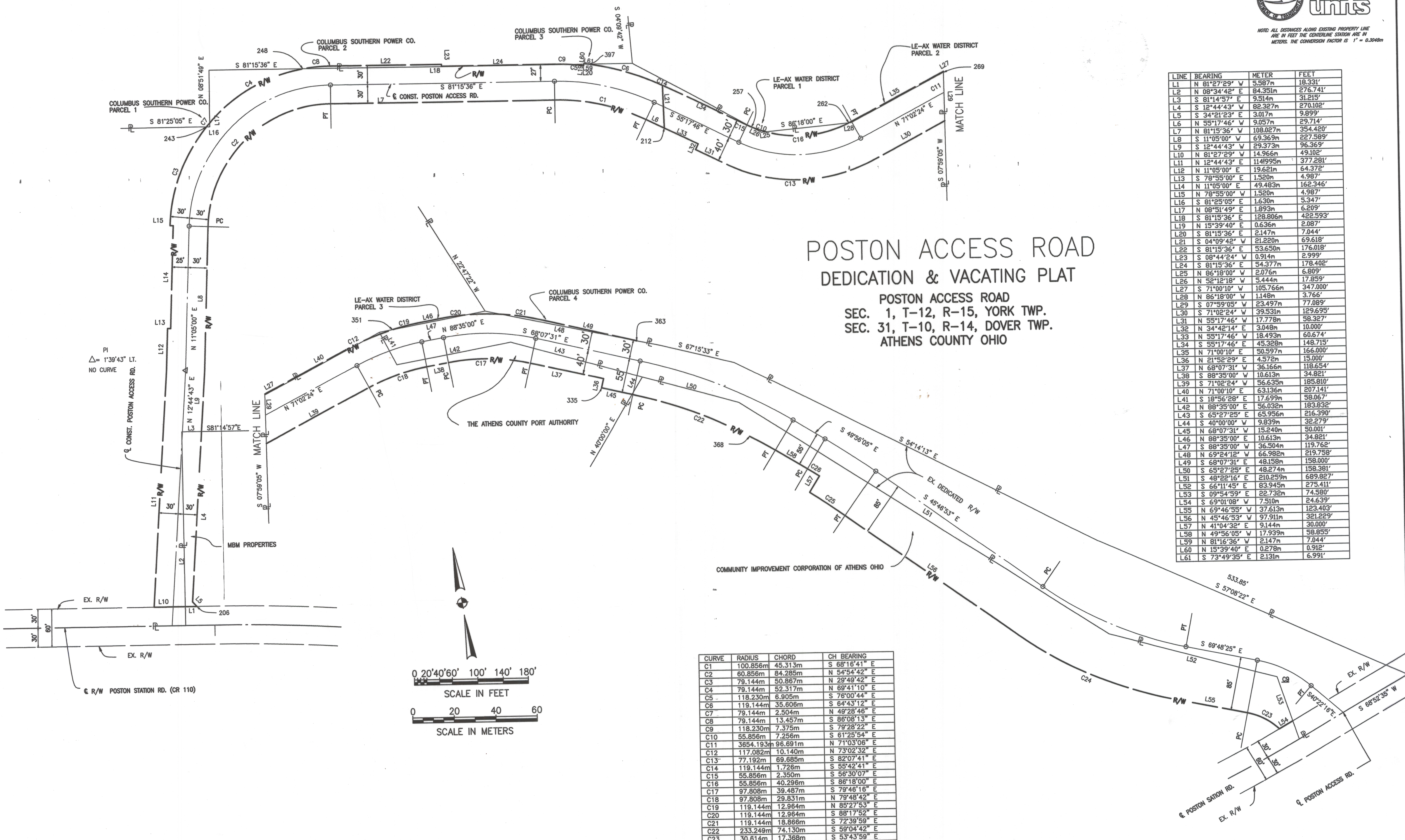


NOTE: ALL DISTANCES ALONG EXISTING PROPERTY LINE ARE IN FEET THE CENTERLINE STATION ARE IN METERS. THE CONVERSION FACTOR IS 1" = 0.3048m

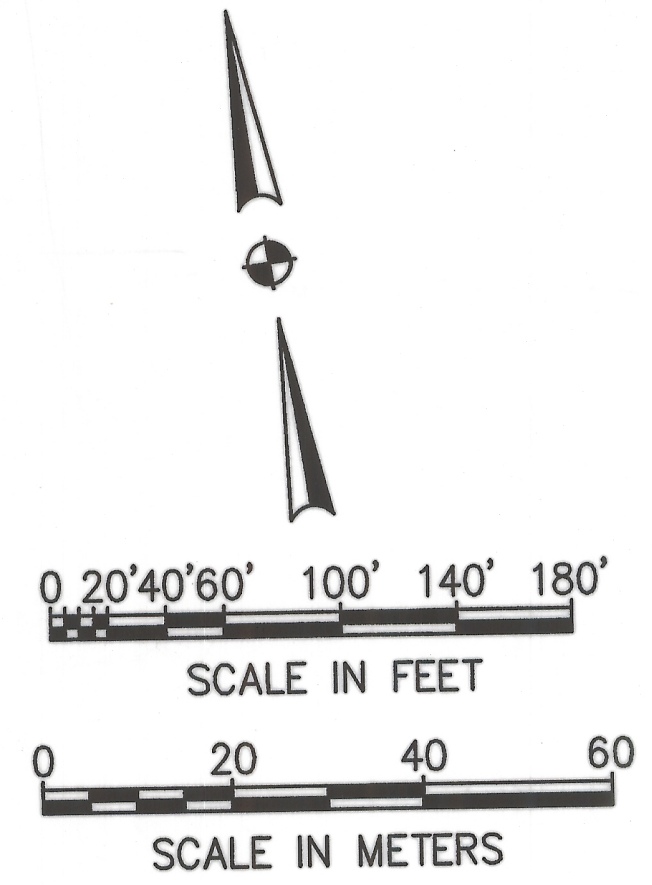


POSTON ACCESS ROAD DEDICATION & VACATING PLAT

POSTON ACCESS ROAD
SEC. 1, T-12, R-15, YORK TWP.
SEC. 31, T-10, R-14, DOVER TWP.
ATHENS COUNTY OHIO

LINE	BEARING	METER	FEET
L1	N 81°27'29" W	5.587m	18.331'
L2	N 08°34'42" E	84.351m	276.741'
L3	S 81°14'57" E	9.514m	31.215'
L4	S 12°44'43" E	82.327m	270.102'
L5	S 34°21'23" E	3.017m	9.899'
L6	N 55°17'46" W	9.057m	29.714'
L7	N 81°15'36" W	108.027m	354.420'
L8	S 11°05'00" W	69.369m	227.589'
L9	S 12°44'43" E	29.373m	96.369'
L10	N 81°27'29" W	14.966m	49.102'
L11	N 12°44'43" E	114.995m	377.281'
L12	N 11°05'00" E	19.621m	64.372'
L13	S 78°55'00" E	1.520m	4.987'
L14	N 11°05'00" E	49.483m	162.346'
L15	N 78°55'00" W	1.520m	4.987'
L16	S 81°25'05" E	1.630m	5.347'
L17	N 08°51'49" E	1.893m	6.209'
L18	S 81°15'36" E	128.806m	422.593'
L19	N 15°39'40" E	0.636m	2.087'
L20	S 81°15'36" E	2.147m	7.044'
L21	S 04°09'42" W	21.220m	69.618'
L22	S 81°15'36" E	53.650m	176.018'
L23	S 08°44'24" W	0.914m	2.999'
L24	S 81°15'36" E	54.377m	178.402'
L25	N 86°18'00" W	2.076m	6.809'
L26	N 52°12'18" W	5.444m	17.859'
L27	S 71°00'10" W	105.766m	347.000'
L28	N 86°18'00" W	1.148m	3.766'
L29	S 07°59'05" W	23.497m	77.089'
L30	S 71°02'24" W	39.531m	129.695'
L31	N 55°17'46" W	17.778m	58.327'
L32	N 34°42'14" E	3.048m	10.000'
L33	N 55°17'46" W	18.493m	60.674'
L34	S 55°17'46" E	45.328m	148.715'
L35	N 71°00'10" E	50.597m	166.000'
L36	N 21°52'29" E	4.572m	15.000'
L37	N 68°07'31" W	36.166m	118.654'
L38	S 88°35'00" W	10.613m	34.821'
L39	S 71°02'24" E	56.635m	185.810'
L40	N 71°00'10" E	63.136m	207.141'
L41	S 18°56'28" E	17.699m	58.067'
L42	N 88°35'00" E	56.032m	183.832'
L43	S 65°27'25" E	65.956m	216.390'
L44	S 40°00'00" W	9.839m	32.279'
L45	N 68°07'31" W	15.240m	50.001'
L46	N 88°35'00" E	10.613m	34.821'
L47	S 88°35'00" W	36.504m	119.762'
L48	N 69°24'12" W	66.982m	219.758'
L49	S 68°07'31" E	48.158m	158.000'
L50	S 65°27'25" E	48.274m	158.381'
L51	S 48°22'16" E	210.259m	689.827'
L52	S 66°11'45" E	83.945m	275.411'
L53	S 09°54'59" E	22.732m	74.580'
L54	S 69°01'08" W	7.510m	24.639'
L55	N 69°46'55" W	37.613m	123.403'
L56	N 45°46'53" W	97.911m	321.229'
L57	N 41°04'32" E	9.144m	30.000'
L58	N 49°56'05" W	17.939m	58.855'
L59	N 81°16'36" W	2.147m	7.044'
L60	N 15°39'40" E	0.278m	0.912'
L61	S 73°49'35" E	2.131m	6.991'

CURVE	RADIUS	CHORD	CH BEARING
C1	100.856m	45.313m	S 68°16'41" E
C2	60.856m	84.285m	N 54°54'42" E
C3	79.144m	50.867m	N 29°49'42" E
C4	79.144m	52.317m	N 69°41'10" E
C5	118.230m	6.905m	S 76°00'44" E
C6	119.144m	35.608m	S 64°43'12" E
C7	79.144m	2.504m	N 49°28'46" E
C8	79.144m	13.457m	S 86°08'13" E
C9	118.230m	7.375m	S 79°28'22" E
C10	55.856m	7.256m	S 61°25'54" E
C11	3654.193m	96.891m	N 71°03'06" E
C12	117.082m	10.140m	N 73°02'32" E
C13	77.192m	69.685m	S 82°07'41" E
C14	119.144m	1.726m	S 55°42'41" E
C15	55.856m	2.350m	S 56°30'07" E
C16	55.856m	40.296m	S 86°18'00" E
C17	97.808m	39.487m	S 79°46'18" E
C18	97.808m	29.831m	N 79°48'42" E
C19	119.144m	12.964m	N 85°27'53" E
C20	119.144m	12.964m	S 88°17'52" E
C21	119.144m	18.866m	S 72°39'59" E
C22	233.249m	74.130m	S 59°04'42" E
C23	30.614m	17.368m	S 53°43'59" E
C24	205.908m	83.172m	S 57°26'00" E
C25	374.092m	20.519m	S 47°21'10" E
C26	383.236m	6.757m	S 49°25'46" E



POSTON ACCESS ROAD
Sec 1 York Twp.
Sec 31 Dover Twp.
ENV 495 A

1998000495
Filed for Record in
ATHENS COUNTY, OHIO
JULIA MICHAEL SCOTT
On 08-15-1999 at 02:34 PM.
PLAT 43.20
ENV 495 A