

CENTERLINE SURVEY PLAT

RICHLAND AVENUE

ATHENS COUNTY, OHIO

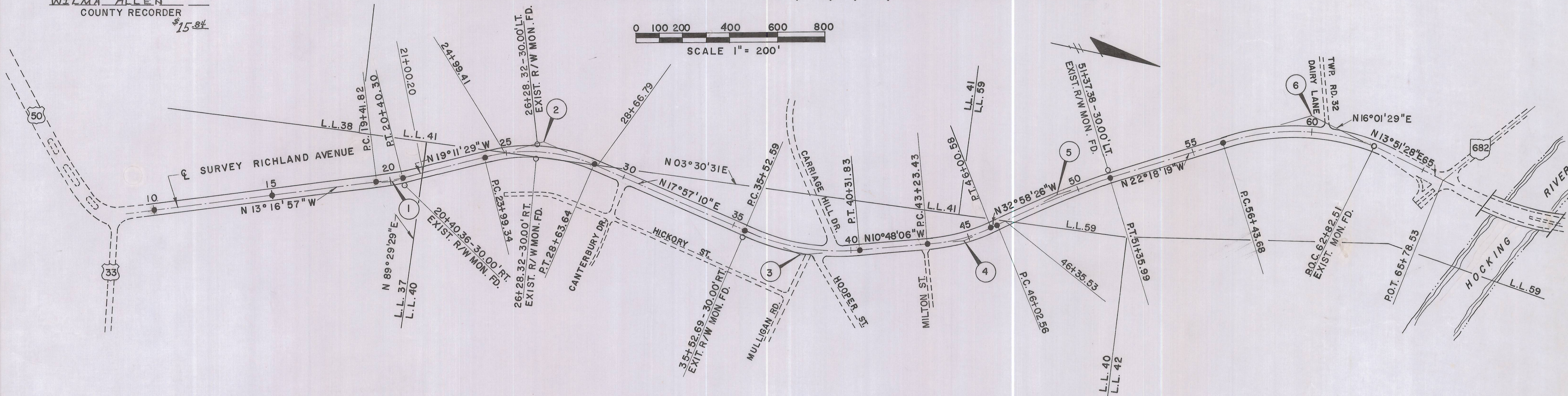
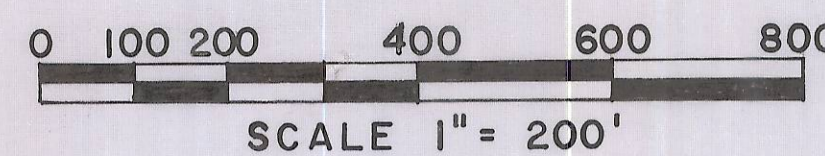
CITY OF ATHENS, T.9N, R.14W., LEASE LOTS 37, 40, 41, 42, & 59 OHIO COMPANY LANDS

FHWA REGION	STATE	PROJECT
5	OHIO	

59
65

ATHENS COUNTY
RICHLAND AVENUE
CENTERLINE SURVEY PLAT

110322
RECEIVED APRIL 9TH, 1974
RECORDED APRIL 9TH, 1974
BOOK 10 PAGE 9
WILMA ALLEN
COUNTY RECORDER
*15.84



CURVE DATA

Curve No.	P.I. STA.	Angle	D	R	L	T	E
1	19+91.10	Δ05°54'32" LT.	6°00'	954.93'	98.48'	49.28'	01.27'
2	26+39.98	Δ37°08'39" RT.	8°00'	716.20'	464.30'	240.64'	39.34'
3	37+97.37	Δ28°45'16" LT.	6°00'	954.93'	479.24'	244.78'	30.87'
4	44+63.76	Δ22°10'20" LT.	8°00'	716.20'	277.15'	140.33'	13.62'
5	48+70.04	Δ10°40'07" RT.	2°00'	2864.79'	533.43'	267.48'	12.46'
6	59+75.57	Δ38°19'48" RT.	6°00'	954.93'	638.83'	331.89'	56.03'

○ EXISTING MONUMENT (FOUND)
● MONUMENT ASSEMBLIES (TO BE SET)

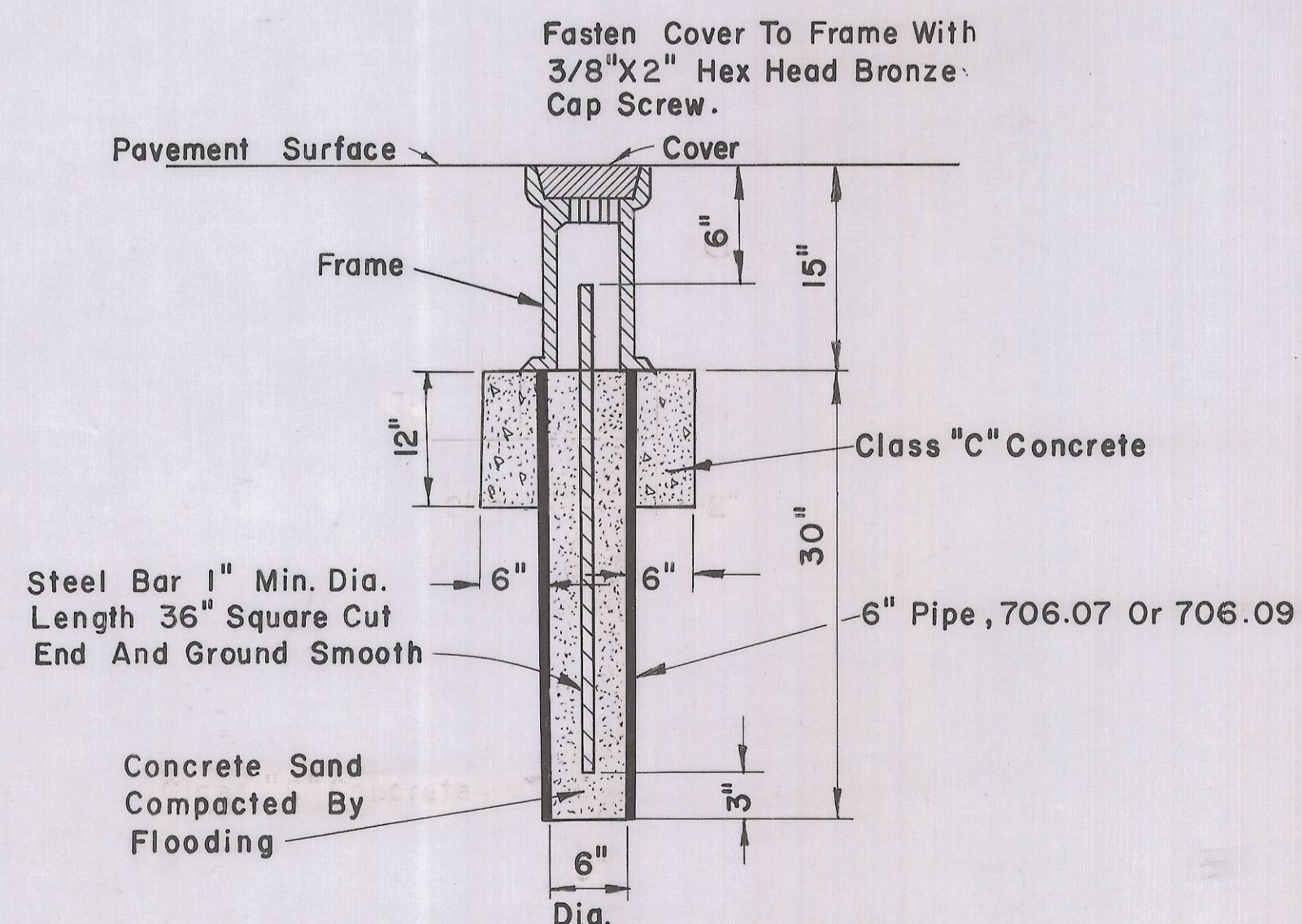
MONUMENT ASSEMBLIES SHALL BE PLACED ON CENTERLINE AT THE FOLLOWING LOCATION DURING CONSTRUCTION

P.O.T. STA. 10+00.00	P.T. STA. 51+35.99
P.O.T. STA. 15+00.00	P.C. STA. 56+43.68
P.C. STA. 19+41.82	
P.T. STA. 20+40.30	
P.C. STA. 23+99.34	
P.T. STA. 28+63.64	
P.C. STA. 35+52.59	
P.T. STA. 40+31.83	
P.C. STA. 43+23.43	
P.T. STA. 46+00.58	
P.C. STA. 46+02.56	

I HEREBY CERTIFY THAT THIS PLAT IS A TRUE DELINEATION OF A SURVEY MADE FOR THE CITY OF ATHENS IN 1973 BY FRANKLIN CONSULTANTS INCORPORATED.

Robert O. Brenner
ROBERT O. BRENNER
REG. SURVEYOR NO. 5987

DATE Dec. 14, 1973



MONUMENT ASSEMBLY

(FOR DETAILS NOT SHOWN, SEE STD. DWG. MC-1)