



CANTER

SURVEYING & MAPPING

Rt. 2, Box 139A
Glouster, OH 45732
[614] 767-2359

Situate in Section 18, T6, R13, Ames Township, Athens County, Ohio and being a part of 45.85 Acre parcel of James R. Burcher as described in Vol. 382, Page 339 of Deed Records of Athens County, Ohio. Being described as follows:

Commencing at the northwest corner of Section 18; thence $N90^{\circ}00'00''E$ 1667 feet along the Section line to a 42" beech tree at the northeast corner of Edgar D. and Esther C. Parsons parcel as described in Vol. 364, Page 869;

Thence $S01^{\circ}17'15''E$ 937.50 feet along east line of said Parsons parcel to an iron pin and cap set at the Point-of-Beginning for the parcel herein described;

Thence from this Point-of-Beginning $N79^{\circ}33'24''E$ 769.36 feet along the southerly line of Bexley Equipment Co. parcel as described in Vol. 312, Page 779 to an iron pin found (reference: iron stake found at 412.46 feet);

Thence $S11^{\circ}17'51''E$ 116.92 feet to an iron pin and cap set;

Thence $S31^{\circ}27'46''W$ 466.96 feet to the center of Bridge #Ath 329-18.15 (reference: iron pin and cap set at 119.01 feet);

Thence along S.R. 329 the next two courses: $S51^{\circ}27'00''E$ 161.00 feet, and $S50^{\circ}37'45''E$ 300.08 feet to the intersection of S.R. 329 and Co. Rd. 94;

Thence along said Co. Rd. 94 $S62^{\circ}09'09''W$ 158.34 feet (reference: iron pin and cap set $N32^{\circ}56'51''W$ 20.00 feet);

Thence $N32^{\circ}56'51''W$ 70.00 feet along the south line of old Federal Valley Railroad to and iron pin and cap set;

Thence $S62^{\circ}09'09''W$ 191.00 feet along old mill parcel as described in Vol. 196, page 1367 to an iron pin and cap set;

Thence $S34^{\circ}52'23''E$ 70.25 feet to the center of Co. Rd. 94 bridge crossing Hyde Fork of Federal Creek;

Thence along Co. Rd. 94 the next two courses: $S62^{\circ}09'03''W$ 76.50 feet, $N75^{\circ}26'37''W$ 273.04 feet;

5

Thence $N14^{\circ}56'53''E$ 95.00 feet along line as agreed to by testimony of Edgar D Parsons and James R. Burcher on 04-04-1990 to Hyde Fork of Federal Creek (reference: iron pins and caps set at 14.00 feet and 66.47 feet);

Thence along lines of said Parsons parcel $N41^{\circ}05'31''W$ 411.85 feet (reference iron pin and cap set $N01^{\circ}17'15''W$ 341.30 feet in south line of old Federal Valley Railroad);

Thence $N01^{\circ}17'15''W$ 391.30 feet to the Point-of-Beginning.

Containing 12.266 Acres as surveyed by Robert C. Canter, P.S. #7226 on 04-04-1990.

Plat of said survey is attached herewith and made a part thereof.

Basis of Bearings: North line of Section 18 being $N90^{\circ}00'00''E$. Bearings are used to denote angles only.

Subject to all legal easements and rights-of-way which includes but is not limited to rights-of-way for road purposes of described state and county roadways, right-of-way for proposed waterline of Sunday Creek Water Association, right-of-way for R./R. as referenced by D. B. 76, Pg. 22 and right-of-way and track map #V-1/8 (as found in Auditor's mapping office, Athens County).

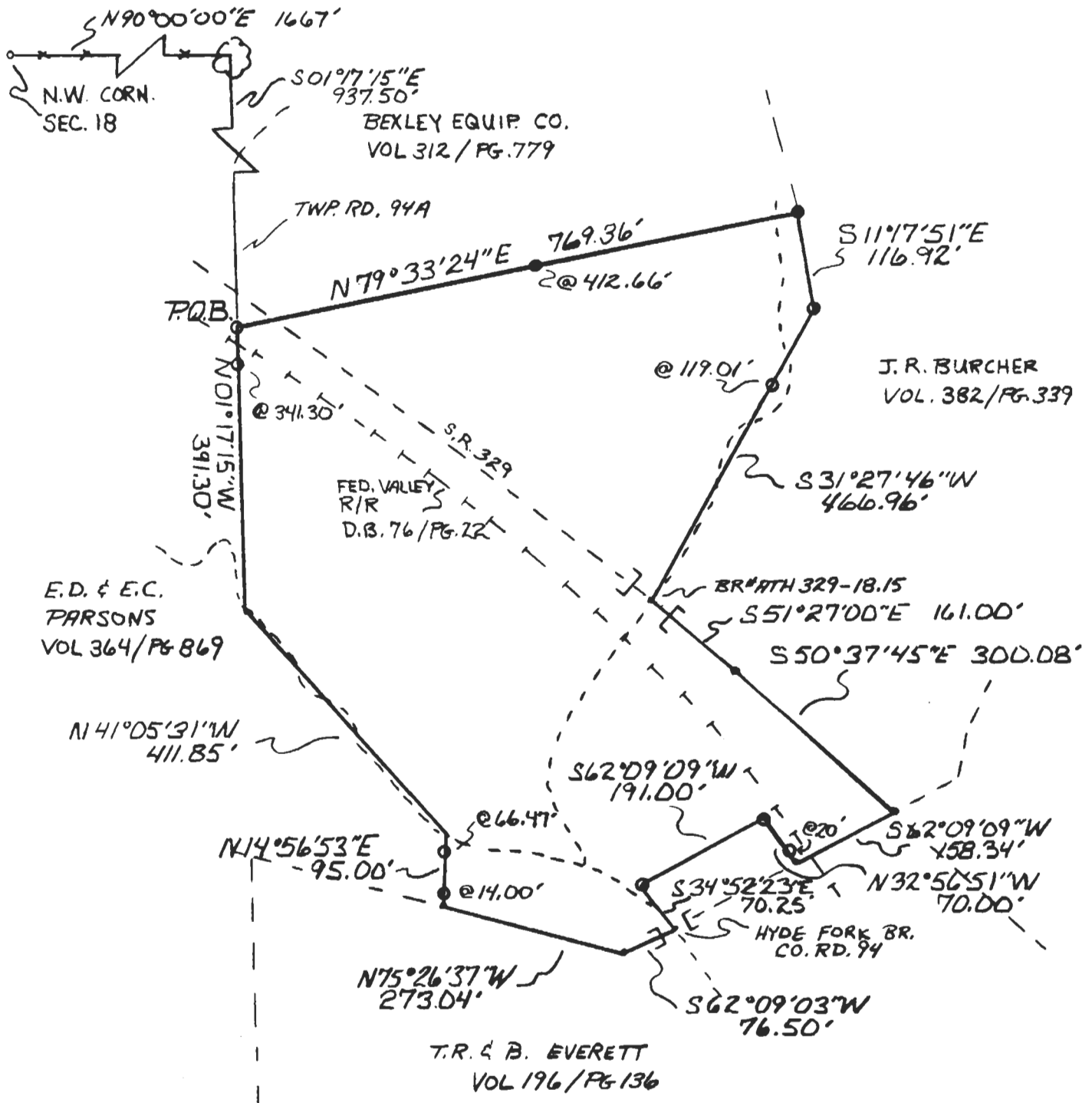
Description checked for
Mathematical Accuracy
ATHENS COUNTY
ENGINEER'S OFFICE

BY:

DATE:

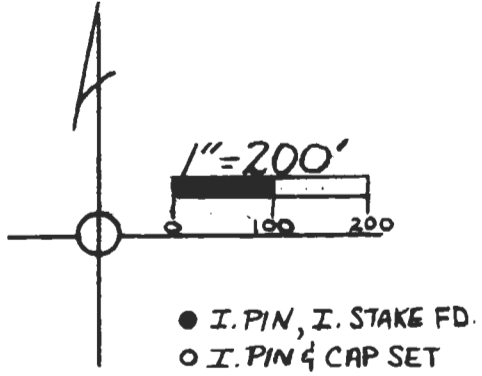
Chris Cotton
4-24-90

6



— PLAT OF SURVEY —

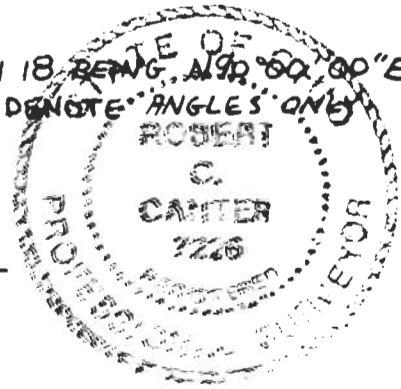
SITUATE IN SECTION 18, T6, R13 AMES TWP.,
 ATHENS COUNTY, OHIO.
 BEING A PART OF 45.85 ACRE PARCEL OF
 JAMES A. BURCHER AS DESCRIBED IN VOL 382,
 PG. 339 DEED RECORDS OF ATHENS Co.
 CONTAINING 12.266 ACRES AS SURVEYD BY ROBERT C. CANTER, P.S. #7226
 ON 04-04-1990.



POINT-OF-BEGINNING : BEING AN IRON PIN & CAP SET N90°00'00"E 1667',
 THENCE S01°17'15"E 937.50' FROM THE NORTHWEST
 CORNER OF SECTION 18

BASIS-OF-BEARINGS : NORTH LINE OF SECTION 18 BEING N90°00'00"E.
 BEARINGS ARE USED TO DENOTE ANGLES ONLY

Robert C. Canter



Ames 18
 7