

CENTERLINE SURVEY PLAT ATH-682-0.00 ATHENS TWP. T-9-N R-14-W

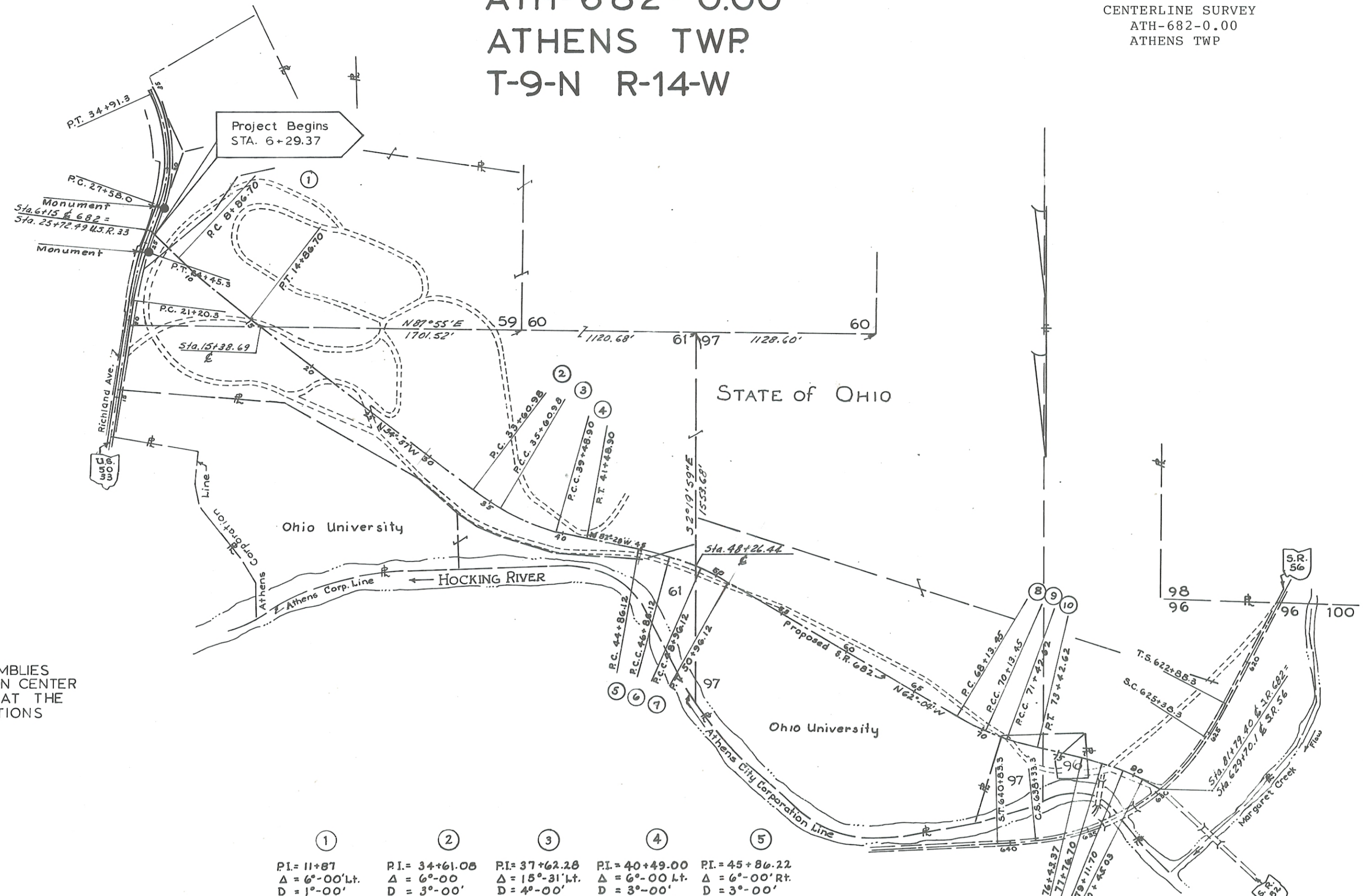
ENVELOPE: 388A
CENTERLINE SURVEY
ATH-682-0.00
ATHENS TWP

ATHENS COUNTY
ATH-682-(0.00)
R/W PLANS



2
6

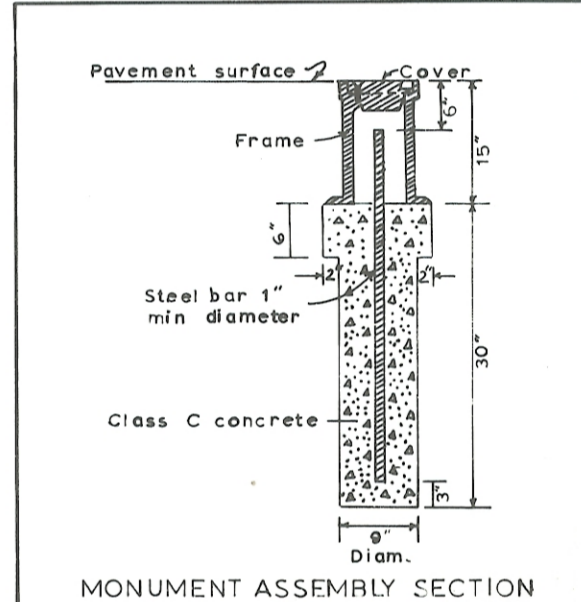
Date Received July 1, 1966
Date Recorded July 20, 1966
Book 8 Page 121
Signed W. K. Davis
County Recorder
Date 5.40



MONUMENT ASSEMBLIES
SHALL BE SET ON CENTER
LINE OF SURVEY AT THE
FOLLOWING STATIONS

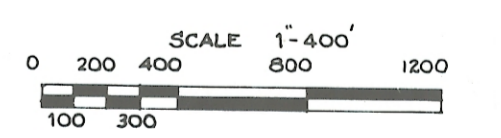
- POT. 7+00
- PC. 8+86.70
- PT. 14+86.70
- POT. 20+00
- POT. 25+00
- POT. 30+00
- PCC. 35+60.98
- PCC. 39+48.90
- POT. 42+50
- POT. 43+50
- PCC. 46+86.12
- PCC. 48+96.12
- POT. 55+00
- POT. 60+00
- POT. 65+00
- PCC. 70+13.45
- PCC. 71+42.62
- POT. 74+50
- POT. 75+50
- PCC. 77+76.70
- PCC. 79+11.70
- POT. 81+50

① PI=11+87 Δ=6°-00' Lt. D=1°-00' T=300.30' L=600.0' R=5729.58'	② PI=34+61.08 Δ=6°-00' D=3°-00' T=100.10' L=200.00' R=1909.86'	③ PI=37+62.28 Δ=15°-31' Lt. D=4°-00' T=195.15' L=387.32' R=1432.39'	④ PI=40+49.00 Δ=6°-00' Lt. D=3°-00' T=100.10' L=200.00' R=1909.86'	⑤ PI=45+86.22 Δ=6°-00' Rt. D=3°-00' T=100.10' L=200.00' R=1909.86'	⑥ PI=47+91.32 Δ=8°-24' Rt. D=4°-00' T=105.20' L=210.00' R=1432.40'	⑦ PI=49+96.22 Δ=6°-00' Rt. D=3°-00' T=100.10' L=200.00' R=1909.86'	⑧ PI=69+13.55 Δ=6°-00' Lt. D=3°-00' T=100.10' L=200.00' R=1909.86'	⑨ PI=70+78.08 Δ=5°10' Lt. D=4°00' T=64.630' L=129.17' R=1432.39'	⑩ PI=72+42.72 Δ=6°00' Lt. D=3°00' T=100.10' L=200.00' R=1909.86'	⑪ PI=77+10.07 Δ=4°00' Rt. D=3°00' T=66.70' L=133.38' R=1909.86'	⑫ PI=78+44.25 Δ=5°24' Rt. D=4°00' T=67.552' L=135.00' R=1432.39'	⑬ PI=79+78.40 Δ=4°00' Rt. D=3°00' T=66.70' L=133.33' R=1909.86'
--	--	---	--	--	--	--	--	--	--	---	--	---



I hereby certify that this plat is a true delineation of a survey made for the Ohio Department of Highways in 1966
Signed W. K. Davis
Registered Surveyor No. 2695
Date June 30, 1966

SURVEYORS SEAL



ATH-682-(0.00)

R/W Centerline Survey Plat

2
6