

BRANNER SURVEYING

MEMBER-PROFESSIONAL LAND SURVEYORS OF OHIO

12500 N. PEACH RIDGE ROAD
ATHENS, OHIO 45701

JOHN M. BRANNER
Registered Land Surveyor

TELEPHONE
(740) 592-5778

DESCRIPTION OF A 60.912 ACRE TRACT

By: John M. Branner P.S. 6805, 12500 N. Peach Ridge Road, Athens, Ohio
Situated in Section 11 & 17, T. 10, R. 15, Lee Township, Athens County,
Ohio and being more particularly described as follows.

Commencing at found bolt at the North-west corner of the South-west
Quarter of Section 11, said point being the POINT OF BEGINNING;
thence, South 0 degrees 00 minutes 37 seconds East, a distance of 624.52
feet to an iron pin found, passing iron pin found at 69.62 feet and at
139.23 feet;
thence, South 75 degrees 01 minute 04 seconds East, a distance of 1140.63
feet to a point in County road 10, passing an iron pin found at
1096.82feet;
thence, following said road, South 0 degrees 31 minutes 51 seconds East, a
distance of 200.37 feet to a found rail road spike;
thence, leaving said road, North 85 degrees 15 minutes 39 seconds West, a
distance of 372.12 feet to an iron pin set;
thence, South 16 degrees 48 minutes 21 seconds West, a distance of 338.39
feet to an iron pin found;
thence, South 61 degrees 19 minutes 29 seconds East, a distance of 76.98
feet to an iron pin set;
thence, South 15 degrees 49 minutes 05 seconds West, a distance of 127.19
feet to an iron pin set;
thence, North 68 degrees 40 minutes 21 seconds West, a distance of 215.16
feet to an iron pin found;
thence, South 28 degrees 50 minutes 41 seconds West, a distance of 866.96
feet to an iron pin found, passing iron pins found at 161.21 feet, 397.89
feet and at 631.46 feet;
thence, North 60 degrees 46 minutes 21 seconds West, a distance of 143.49
feet to an iron pin set;
thence, South 5 degrees 12 minutes 10 seconds East, a distance of 529.00
feet to an iron pin set;
thence, South 88 degrees 56 minutes 03 seconds East, a distance of 1.66
feet to an iron pin set;
thence, South 0 degrees 33 minutes 16 seconds West, a distance of 2.78
feet to a found Section corner monument;
thence, North 89 degrees 37 minutes 17 seconds West, a distance of 669.80
feet to an iron pin set;

Description checked for
Mathematical Accuracy
ATHENS COUNTY
ENGINEER'S OFFICE
BY: B. Blausen
DATE: 2-24-98

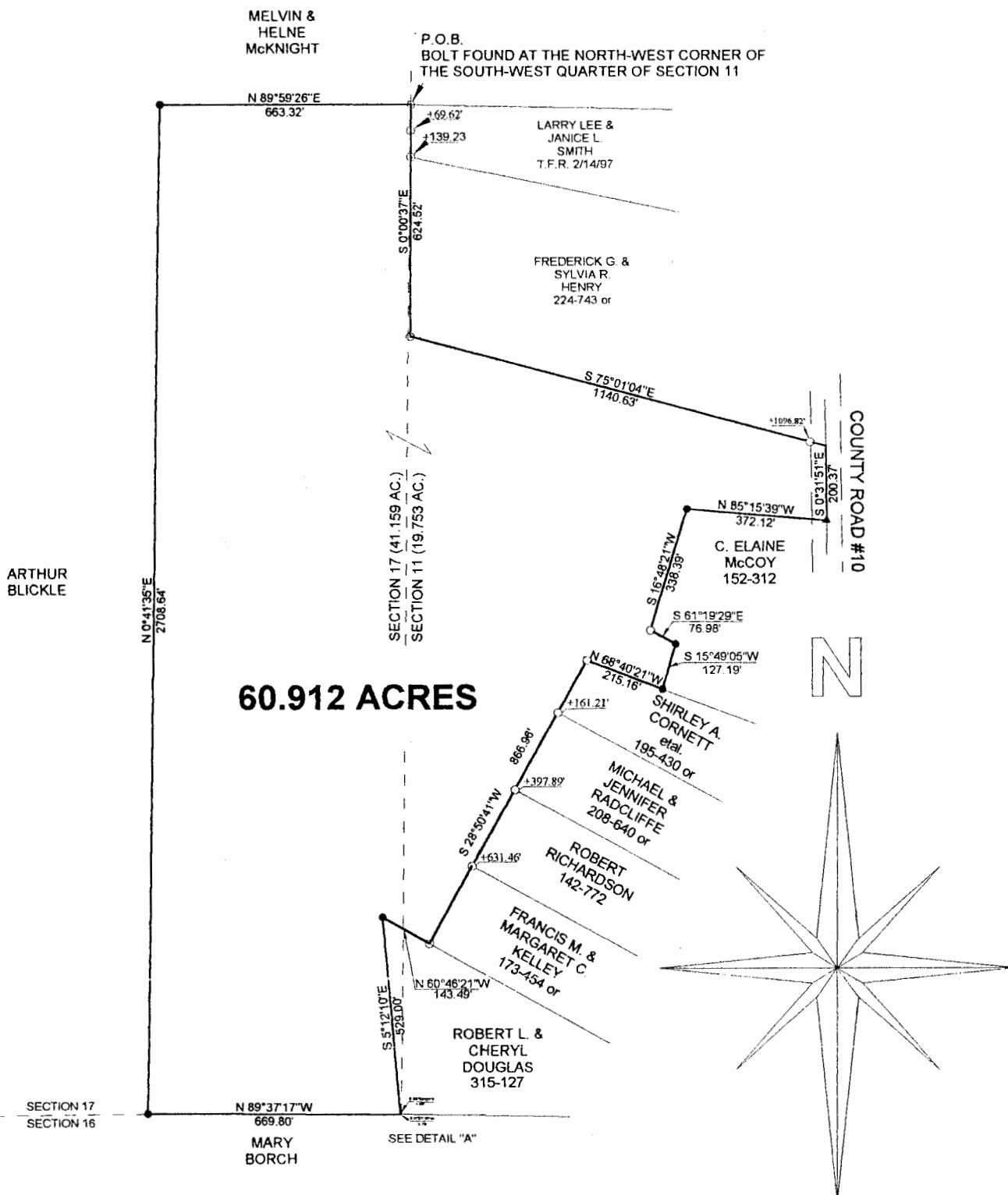
38
LEE #11+17

thence, North 0 degrees 41 minutes 35 seconds East, a distance of 2708.64 feet to an iron pin set;
thence, North 89 degrees 59 minutes 26 seconds East, a distance of 663.32 feet to a to the POINT OF BEGINNING; said described tract containing 60.912 acres (2,653,347.0265 square feet).

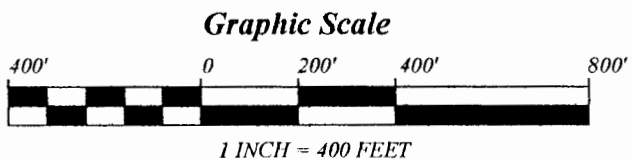
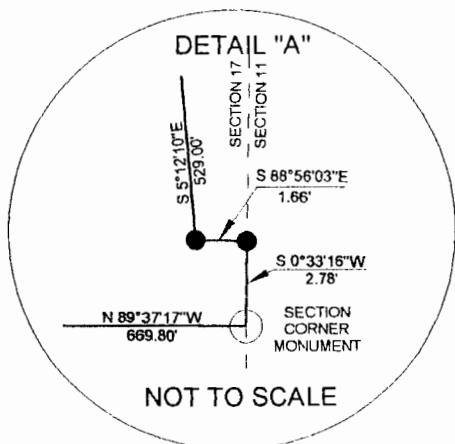
Subject to all easements and right-of-ways of record.
All iron pins set are 5/8 inch x 30 inch long rebar.

The above description is based on a field survey completed February 1998
45701 (740) 592-5778

39



60.912 ACRES



- = IRON PIN FOUND
- = IRON PIN SET
- ▲ = RAIL ROAD SPIKE FOUND
- = BOLT FOUND

**SURVEY IF A 60.912 ACRE TRACT
SECTION 11, T. 10, R. 15, LEE TOWNSHIP,
ATHENS COUNTY, OHIO
SURVEYED FEBURARY 1998**

**BEARINGS ARE BASED ON PREVIOUS
SURVEYS AND ARE USED TO DENOTE
ANGLES ONLY**

**JOHN M. BRANNER P.S. 6805
12500 N. PEACH RIDGE ROAD,
ATHENS, OHIO (740) 592-5778**

Description checked for
Mathematical Accuracy
ATHENS COUNTY
ENGINEER'S OFFICE
BY: S. Blausen
DATE: 2-24-98

42