



C. THOMAS SMITH and Associates Surveying

P. O. BOX 393

Racine, Ohio 45771

DESCRIPTION OF SURVEY FOR WILLIAM NOBLE TRACT III

Being a part of an 80 acre± tract transferred to Carl Edward Puckett recorded as tract II in Deed Book 327 at Page 913, Athens County Recorder's Office, Athens County Ohio, also being a part of the West Half of the Southwest Quarter of Section 5, Township-4-North, Range-13-West, Lodi Township, Athens County, State of Ohio and more particularly described as follows:

Beginning at a 5/8" iron pin set which bears South 89°18'23" East a distance of 500.20 feet from a stone assumed to be the Northwest corner of said West Half of the Southwest Quarter, Section 5, Township-4, Range-13;

Thence South 89°18'23" East a distance of 514.23 feet to an existing iron pin;

Thence South 00°52'03" West passing thru an existing iron pin at a distance of 1221.48 feet and going a total distance of 1241.14 feet to a point in the centerline of County Road #42;


Thence along said centerline the following three courses:

1. South 54°12'00" West a distance of 27.09 feet to a point;
2. South 56°49'00" West a distance of 73.88 feet to a point;
3. South 68°20'00" West a distance of 73.91 feet to a point;

Thence leaving said centerline North 14°26'57" West passing thru a 5/8" iron pin set at a distance of 20.00 feet and going a total distance of 1374.27 feet to the principal point of beginning containing 10.00 acres± subject to all legal easements and rights-of-way.

Bearings were derived from a previous survey recorded in Deed Book 375 at Page 721.

The above description was prepared from an actual survey made on the 4th day of November, 1997, by C. Thomas Smith, Ohio Professional Surveyor, #68444.


C. Thomas Smith, P.S. #6844

Description checked for
Mathematical Accuracy
ATHENS COUNTY
ENGINEER'S OFFICE
BY: S. Blanner
DATE: 4-16-99

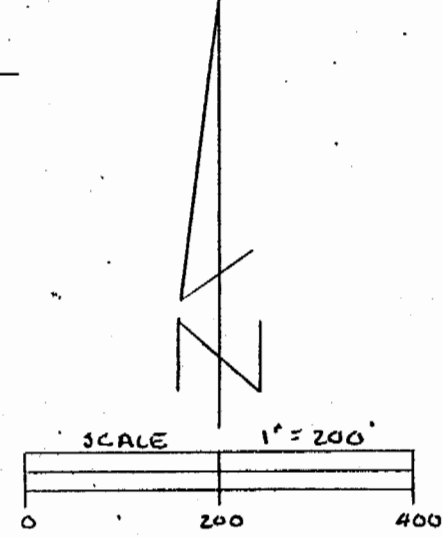
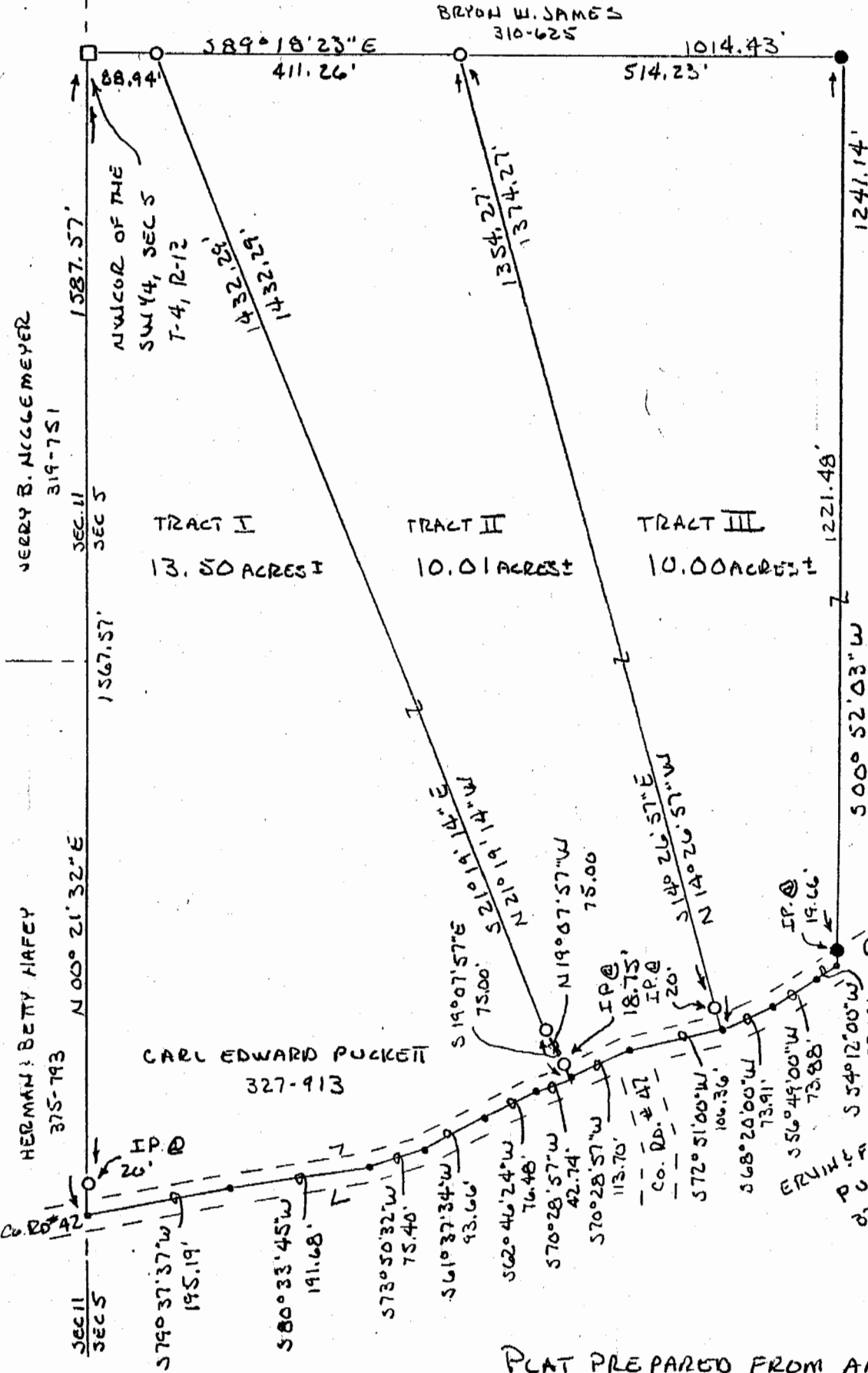


C. THOMAS SMITH and Associates Surveying

P. O. BOX 393

Racine, Ohio 45771

BEING A PART OF THE WEST HALF OF THE SOUTHWEST QUARTER OF SECTION 5, T-4-N, R-13-W, LODI TOWNSHIP, ATHENS COUNTY, OHIO.



NOTE: BEARINGS DERIVED FROM PREVIOUS SURVEY RECORDED IN D.B. 375 PG 721

LEGEND

- 5/8" IRON PIN SET
- EXISTING IRON PIN
- EXISTING STONE
- POINT

REFERENCE'S
CURRENT TAX PLATS
PREVIOUS SURVEY &
DEEDS: AS NOTED

PLAT PREPARED FROM AN ACTUAL SURVEY
MADE ON THE 4TH DAY OF NOVEMBER, 1997 BY,

Description checked for
Mathematical Accuracy
ATHENS COUNTY
ENGINEER'S OFFICE
BY: S. Blawie
DATE: 4-16-99

C. Thomas Smith 31
OHIO PROFESSIONAL SURVEYOR

No 6844

Lot 5