

LEGAL DESCRIPTION

Situated in the Township of Waterloo, County of Athens and the State of Ohio and being more particularly described as follows:

Commencing at a stone found at the Northeast corner of the Southeast quarter of the Northeast quarter of Section 26.

THENCE South 88 degrees 58 minutes 20 seconds West for a distance of 994.47 feet to an iron pin set. Said point being THE TRUE POINT OF BEGINNING.

THENCE South 18 degrees 47 minutes 46 seconds East for a distance of 452.23 feet to a point in the center of Athens county road 8 (Passing an iron pin set at 431.60 feet)

THENCE South 65 degrees 30 minutes 46 seconds West for a distance of 107.54 feet to a point in the center of said road.

THENCE South 61 degrees 46 minutes 39 seconds West for a distance of 187.14 feet to a point in the center of said road.

THENCE North 31 degrees 05 minutes 56 seconds West for a distance of 150.70 feet leaving said road to an iron pin found. (Passing an iron pin found at 18.13 feet)

THENCE South 73 degrees 33 minutes 55 seconds West for a distance of 68.32 feet to an iron pin found;

THENCE North 20 degrees 11 minutes 03 seconds West for a distance of 26.94 feet to an iron pin found;

THENCE South 69 degrees 32 minutes 52 seconds West for a distance of 68.83 feet to an iron pin found;

THENCE South 25 degrees 29 minutes 42 seconds East for a distance of 22.27 feet to an iron pin found;

THENCE South 73 degrees 40 minutes 24 seconds West for a distance of 46.81 feet to a point in the center of State Route 356. (Passing an iron found at 24.76 feet).

THENCE North 23 degrees 55 minutes 40 seconds West for a distance of 171.91 feet to a point in the center of said road.

THENCE North 31 degrees 33 minutes 11 seconds West for a distance of 103.87 feet to a point in the center of said road.

THENCE North 38 degrees 32 minutes 32 seconds West for a distance of 143.01 feet to a point in the center of said road.

THENCE North 41 degrees 44 minutes 01 seconds West for a distance of 114.77 feet to a point in the center of said road.

THENCE North 29 degrees 39 minutes 57 seconds West for a distance of 32.50 feet to a point in the center of said road.

THENCE North 88 degrees 58 minutes 20 seconds East for a distance of 675.32 feet leaving said road to an iron pin set to the Point of Beginning. (Passing an iron pin found at 79.94 feet).

Together with and subject to covenants, easements, and restrictions of record. Property contains 6.37 acres more or less.



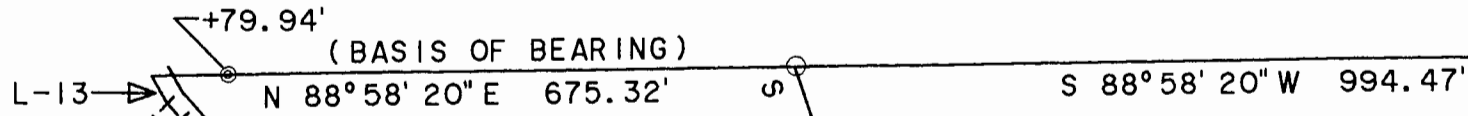
John M. Branner

Checked for
Accuracy
ATHERS COUNTY
ENGINEERING SERVICE
BY: S. Blaus
DATE: 3-8-96

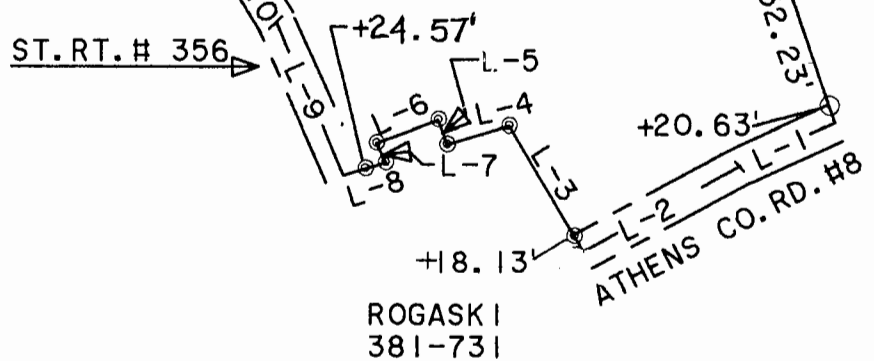
46

N.E. CORNER OF THE S.E. QUARTER OF THE
N.E. QUARTER OF SECTION #26

CLARK
319-641



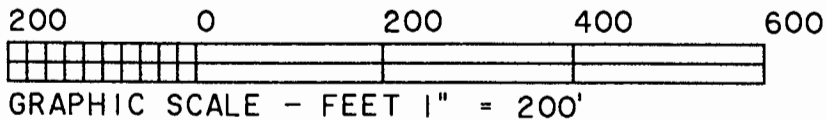
COURSE	BEARING	DISTANCE
L-1	S 65° 30' 46" W	107.54'
L-2	S 61° 46' 39" W	187.14'
L-3	N 31° 05' 56" W	150.70'
L-4	S 73° 33' 55" W	68.32'
L-5	N 20° 11' 03" W	26.94'
L-6	S 69° 32' 52" W	68.83'
L-7	S 25° 29' 42" E	22.27'
L-8	S 73° 40' 24" W	46.81'
L-9	N 23° 55' 40" W	171.91'
L-10	N 31° 33' 11" W	103.87'
L-11	N 38° 32' 32" W	143.01'
L-12	N 41° 44' 01" W	114.77'
L-13	N 29° 39' 57" W	32.50'



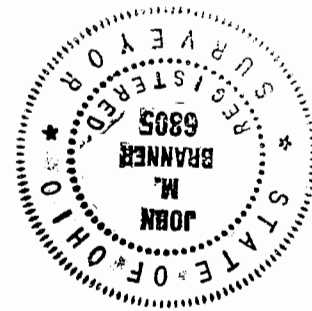
BUCKLEY 44-871



- IRON PIN SET (5x8" X 30" REBAR)
- ⊙ IRON PIN FOUND
- ◇ STONE FOUND



SURVEY OF A 6.37ACRE TRACT IN
SECTION #26 T. 10, R. 15.
WATERLOO TOWNSHIP, ATHENS COUNTY
OHIO. SURVEYED FEB. 1996



John M. Branner

JOHN M. BRANNER P.S. 6805
12500 N. PEACH RIDGE ROAD
ATHENS OHIO (614) 592-5778

WAT #26