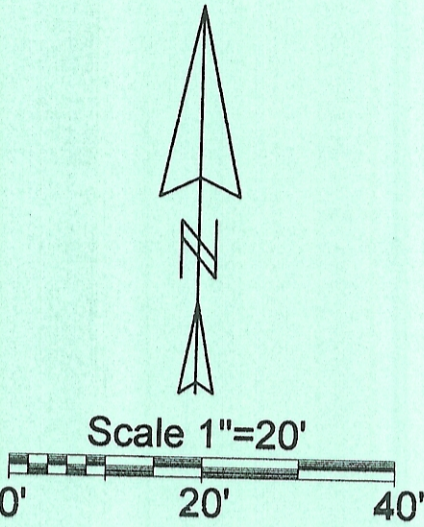


York Local School District  
232-387

Sealey  
357-2569 OR

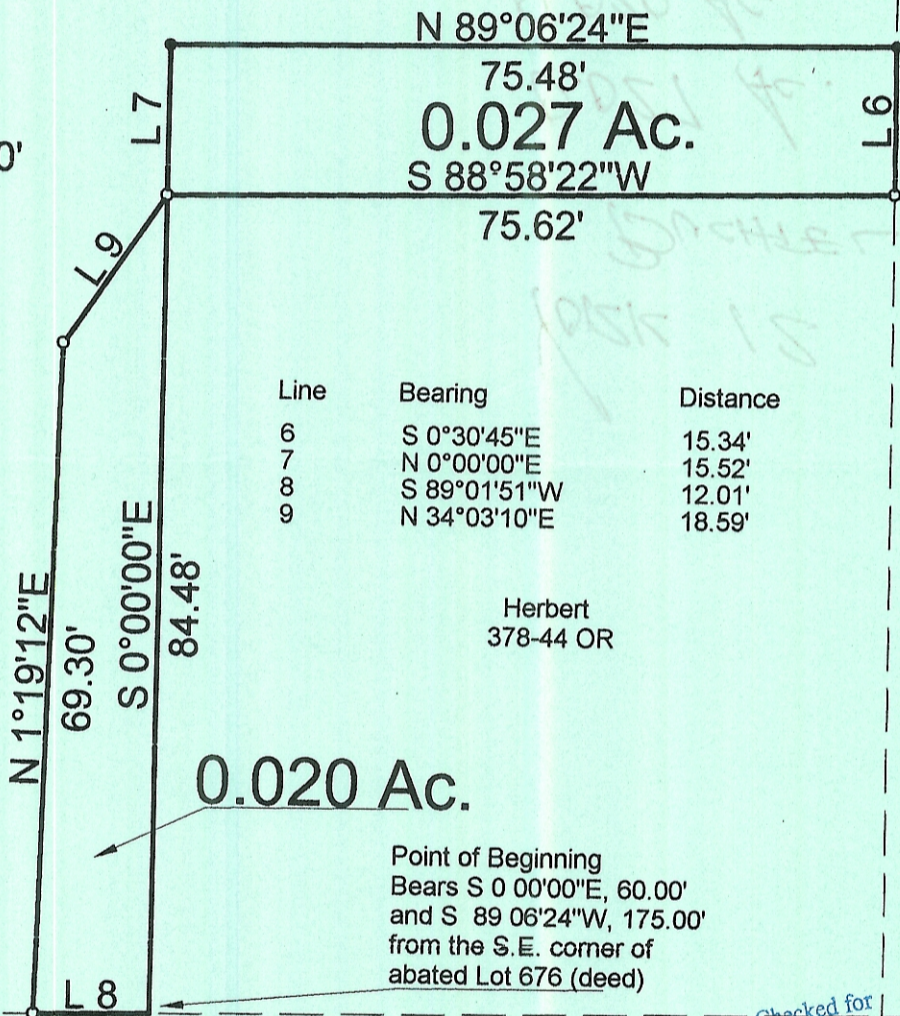
Martin  
329-50 OR



Sealey  
357-2569 OR

O=Iron Pin Set  
●=Iron Pin Found

NOTE: These are transfers between adjoining owners



Line	Bearing	Distance
6	S 0°30'45"E	15.34'
7	N 0°00'00"E	15.52'
8	S 89°01'51"W	12.01'
9	N 34°03'10"E	18.59'

Herbert  
378-44 OR

North St.

Description Checked for  
Mathematical Accuracy  
Athens County  
ENGINEER'S OFFICE  
BY: S. Blauis  
DATE: 2-22-05

PLAT OF SURVEY OF 2 TRACTS  
SURVEYED FOR SEALEY / HERBERT  
SUBDIVISION BESSEMER  
TOWNSHIP YORK SECTION 12 TOWN 12 RANGE 1S  
CORPORATION BUCKET COUNTY ATHENS STATE OHIO  
SCALE 1"= 20' DATE FEB, 2005

Kenneth E. Highland  
80 Fayette St.  
Nelsonville, Ohio 45764  
740-753-1264

Kenneth E. Highland S-7581

