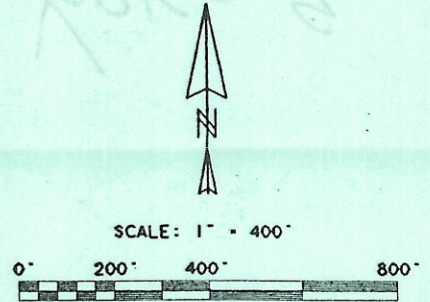
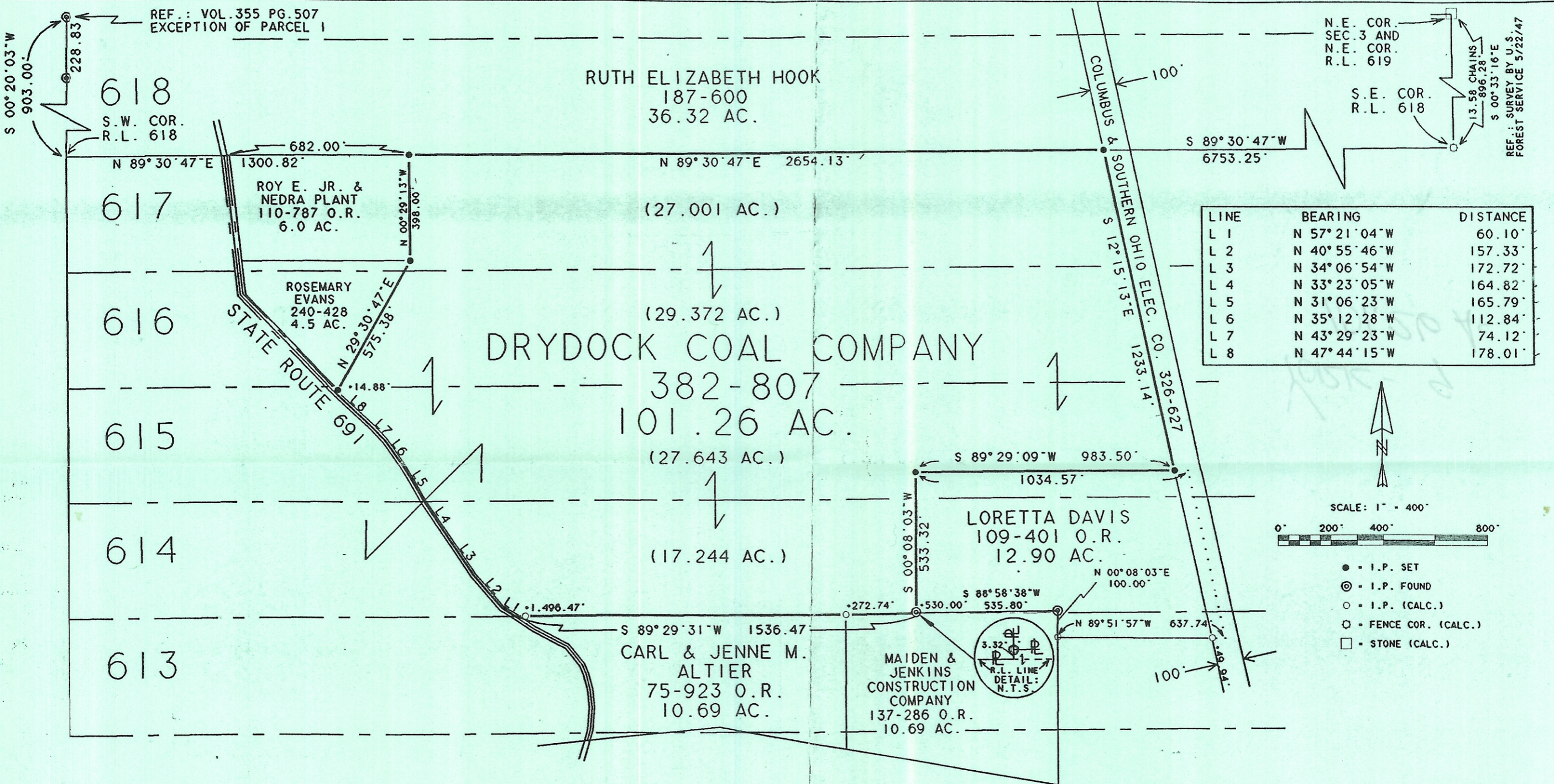


REF.: VOL. 355 PG. 507
EXCEPTION OF PARCEL 1

N.E. COR.
SEC. 3 AND
N.E. COR.
R.L. 619

S.E. COR.
R.L. 618

REF.: SURVEY BY U.S.
FOREST SERVICE 5/22/47



- = I.P. SET
- ⊙ = I.P. FOUND
- = I.P. (CALC.)
- ⊖ = FENCE COR. (CALC.)
- = STONE (CALC.)

Description checked for
Mathematical Accuracy
ATHENS COUNTY
ENGINEER'S OFFICE
BY: S. Blaus
DATE: 5-17-99

* PLAT OF SURVEY OF: A 101.26 ACRE TRACT *
SITUATED IN RIVER LOTS 614.615.616 AND 617. SECTION 9. TOWN 12.
RANGE 15. YORK TOWNSHIP. ATHENS COUNTY. OHIO.
BY: SOUTHEASTERN LAND SURVEYS * 8/13/97 * FOR: DRYDOCK COAL CO.
Leonard F. Swoyer
LEONARD F. SWOYER. P.S. 6765

