



Description Checked for
 Mathematical Accuracy
 Athens County
 ENGINEER'S OFFICE
 BY: Brandon Williams
 DATE: 9/2/16

Instrument 201700000854 OR Book Page 529 1332

C. Thomas Smith
Ohio Professional Surveyor No. 6844
P.O. Box 393
Racine, Ohio 45771
740-949-2524

Description of survey for Eric S. Lee
Tract Two

Being a part of a tracts of land transferred to Eric S. Lee as recorded in Official Records Volume 447 at page 816 Athens County Recorder's Office, Athens County, Ohio, also being a part of Lot 1703 of the W. R. Phillips Second Addition to the City of Athens as recorded in Envelope 195B, Section 10, Township-9, Range-14, Athens Township, Athens County, State of Ohio and more particularly described as follows;

Beginning at an existing iron pipe being the most northerly corner of said Lot 1703;

Thence along the west right of way line of Ring Street South $01^{\circ}15'35''$ East, a distance of 127.40 feet to an existing iron pin;

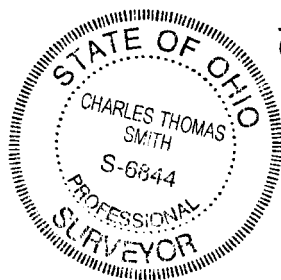
Thence leaving said right of way line and along the north line of a tract transferred to Adam Remnant as recorded in Official Records Volume 427 at page 571 South $89^{\circ}15'07''$ West, a distance of 88.10 feet to an existing iron pin;

Thence leaving said north line and along the east right of way line of a 12 foot alley North $33^{\circ}34'15''$ East, a distance of 154.25 feet to the principal point of beginning containing 5612.12 square feet more or less subject to all legal easements and rights of way.

Bearings are assumed and are for the determination of angles only.

All iron pins set are 5/8" X 30" rebar with plastic ID cap stamped "CTS-6844".

The above description was prepared from an actual survey completed on the 11th day of August, 2016, by C. Thomas Smith, Ohio Professional Surveyor, No. 6844.



C. Thomas Smith
 Ohio Professional Surveyor No. 6844

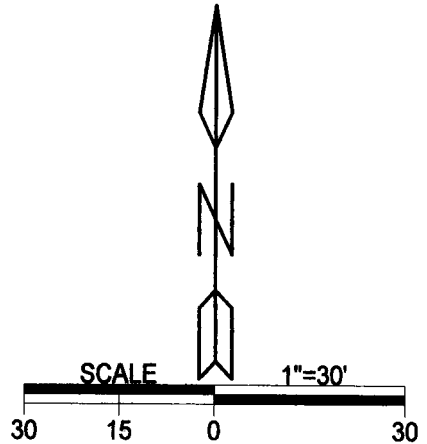
BEING A PART OF LOT 2370 SRIGLEY'S ADDITION, PART OF LOTS 1701, 1702 & 1703
 W.R. PHILLIPS SECOND ADDITION, CITY OF ATHENS, SECTION 10, ATHENS TOWNSHIP,
 ATHENS COUNTY, STATE OF OHIO.

Strigley's Addition recorded Envelope 260B
 W.R. Phillips Second Addition recorded in Envelope 195B

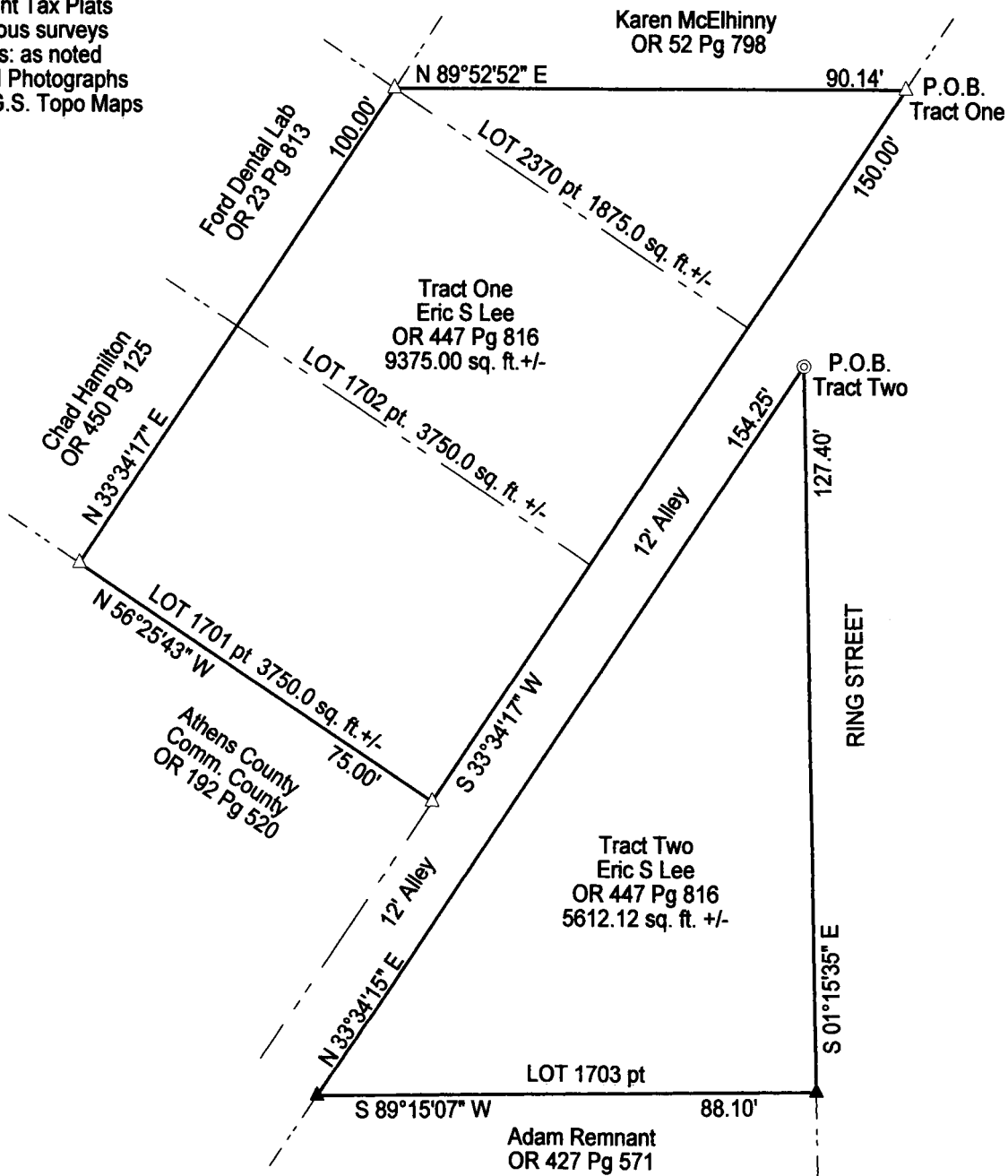
Description Checked for
 Mathematical Accuracy
 Athens County
 ENGINEER'S OFFICE
 BY: Charles Thomas Smith
 DATE: 8/22/16

LEGEND

△	Iron pin set
▲	Iron pin found
•	Point
■	Stone (f)
⊙	Iron pipe found

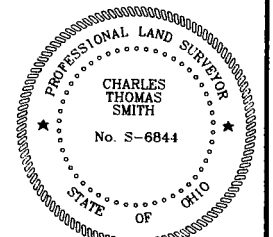


REFERENCES
 Current Tax Plats
 Previous surveys
 Deeds: as noted
 Aerial Photographs
 U.S.G.S. Topo Maps



Note: Bearings are assumed and are for the determination of angles only.

All iron pins set are 5/8"X30" rebar with plastic ID cap stamped "CTS-6844".



Surveyed and platted by
 C. Thomas Smith
 Ohio Professional Surveyor No 6844
 P.O. Box 393
 Racine, Ohio 45771
 740-949-2524

Plat prepared from an actual survey made on the 11th day of August, 2016 by,

C. Thomas Smith
 C. Thomas Smith Ohio Professional Surveyor No. 6844