

EXHIBIT "A"

Being a part of the tract of land that is now or formerly in the name of Lyle Swain as recorded in Official Record 195 at page 389, Athens County Recorder's Office, said tract being part of the north half of the southwest quarter of Section 16, T5N, R12W, Carthage Township, Athens County, State of Ohio and being more particularly described as follows:

Beginning at a 5/8" X 30" iron pin with a plastic identification cap set on the grantor's north line and the north line of the north half of the southwest quarter of Section 16 from which an iron pipe found on the northeast corner of the north half of the southwest quarter bears South 82 degrees 14 minutes 15 seconds East a distance of 619.11 feet;

Thence leaving the north line of the north half of the southwest quarter and with a new line through the grantor's land, South 03 degrees 54 minutes 05 seconds West, passing through a 5/8" X 30" iron pin with a plastic identification cap set at 829.33 feet, going a total distance of 859.33 feet to a point in the center of County Road 53 and on the grantor's south line;

Thence along the center of said road and the grantor's south line the following three courses:

1. South 73 degrees 35 minutes 24 seconds West a distance of 170.27 feet to a point;
2. South 70 degrees 47 minutes 48 seconds West a distance of 178.28 feet to a point, and;
3. South 60 degrees 23 minutes 52 seconds West a distance of 198.67 feet to a point;

Thence leaving the center of said road and with a new line through the grantor's land, North 03 degrees 54 minutes 05 seconds East, passing through a 5/8" X 30" iron pin with a plastic identification cap set at 29.29 feet, going a total distance of 1131.08 feet to a 5/8" X 30" iron pin with a plastic identification cap set on the grantor's north line and the north line of the north half of the southwest quarter;

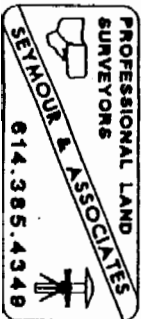
Thence along the north line of the north half of the southwest quarter, South 82 degrees 14 minutes 15 seconds East, passing through iron pins found at feet and feet, going a total distance of 490.43 feet to the point of beginning, containing 11.000 acres, more or less, and subject to the right-of-way of County Road 53 and all easements of records.

All 5/8" X 30" iron pins with plastic identification caps set are stamped "Seymour & Associates".

The bearings used in the above described tract were based on magnetic taken June 1, 1998 and are for the determination of angles only.

The above described tract was surveyed by George F. Seymour, Ohio Professional Surveyor No. 6044, June 1, 1998.

*George F. Seymour*  
George F. Seymour, P.S. #6044



Description checked for  
 Mathematical Accuracy  
 ATHENS COUNTY  
 ENGINEER'S OFFICE  
 BY: S. Blouse  
 DATE: 7-7-98

30

CAR #16

BEING A PART OF THE NORTH HALF OF THE SOUTHWEST QUARTER,  
SECTION 16, T-5-N, R-12-W, CARTHAGE TOWNSHIP, ATHENS COUNTY,  
STATE OF OHIO.

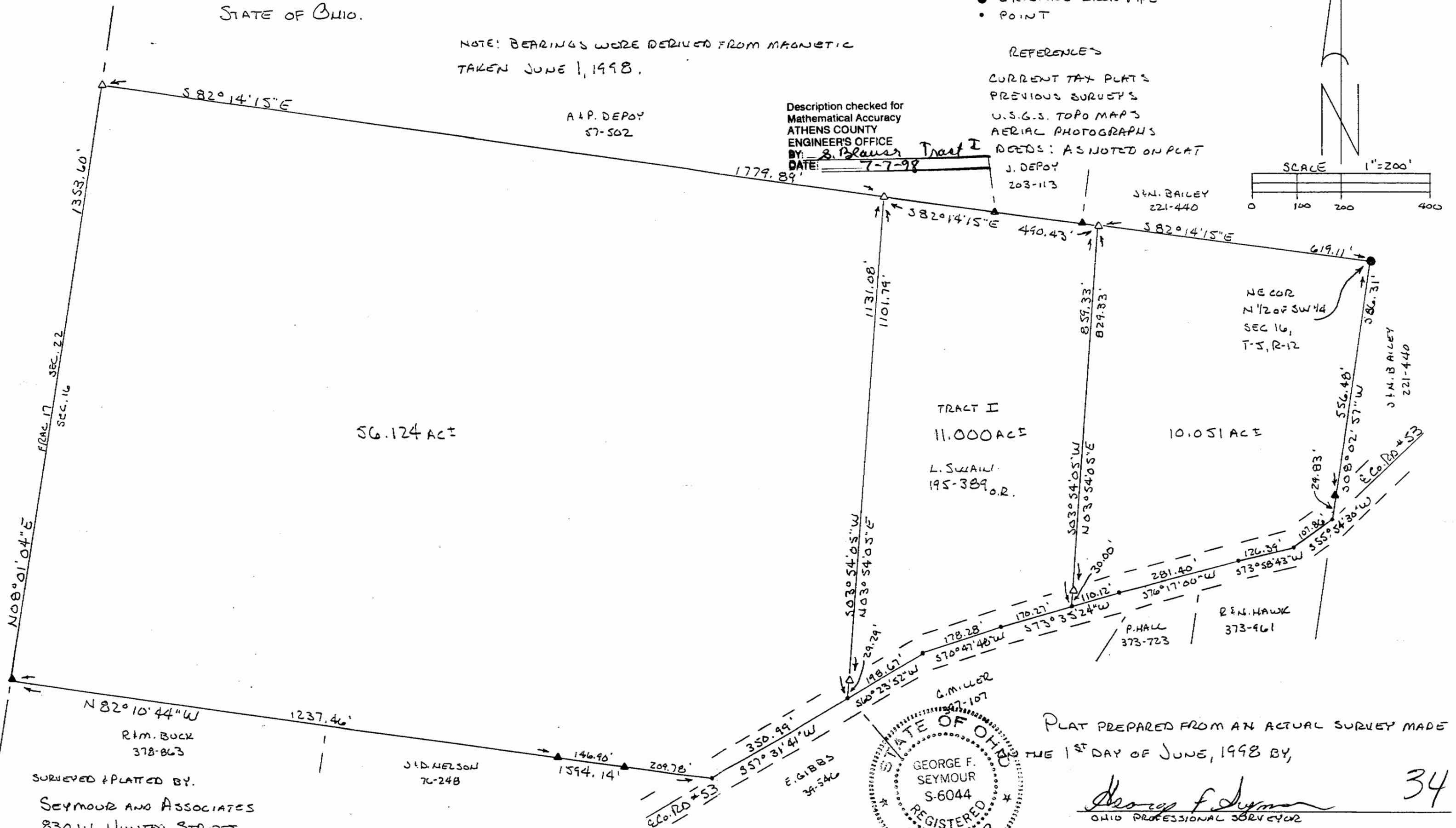
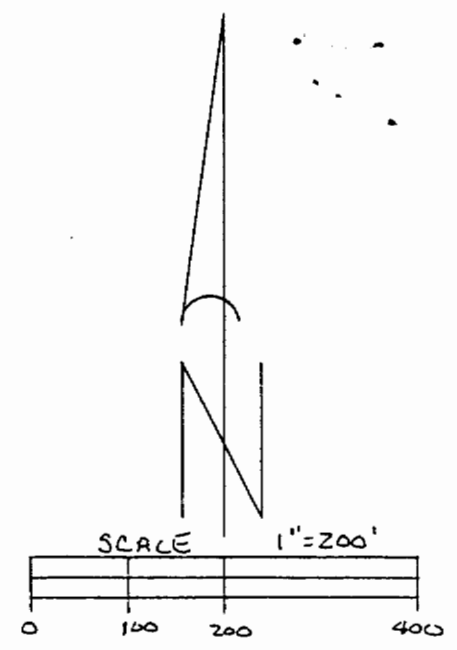
NOTE: BEARINGS WERE DERIVED FROM MAGNETIC  
TAKEN JUNE 1, 1998.

- LEGEND
- △ 5/8" IRON PIN W/ID CAP SET
  - ▲ EXISTING IRON PIN
  - EXISTING IRON PIPE
  - POINT

REFERENCE

CURRENT TAX PLATS  
PREVIOUS SURVEYS  
U.S.G.S. TOPO MAPS  
AERIAL PHOTOGRAPHS

DEEDS: AS NOTED ON PLAT



A.P. DEPOY  
57-502

Description checked for  
Mathematical Accuracy  
ATHENS COUNTY  
ENGINEER'S OFFICE  
BY: S. Blaus Tract I  
DATE: 7-7-98

J. DEPOY  
203-113

J.N. BAILEY  
221-440

56.124 AC±

TRACT I  
11.000 ACRE

L. SWAIN  
195-389 O.R.

10.051 ACRE

NE COR  
N 1/2 of SW 1/4  
SEC 16,  
T-5, R-12

J.N. BAILEY  
221-440

P. HALL  
373-723

R.N. HAWK  
373-961

G. MILLER  
37-107

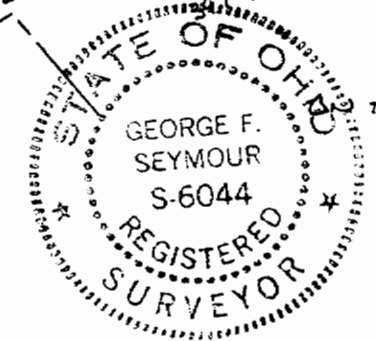
E.G. BBS  
34-546

J.D. NELSON  
76-248

R.M. BUCK  
378-863

SURVEYED & PLATTED BY:  
SEYMOUR AND ASSOCIATES  
830 W. HUNTER STREET  
LOGAN, OHIO 43138  
740-385-4349

© SEYMOUR AND ASSOCIATES



PLAT PREPARED FROM AN ACTUAL SURVEY MADE  
THE 1<sup>ST</sup> DAY OF JUNE, 1998 BY,

*George F. Seymour*  
OHIO PROFESSIONAL SURVEYOR

34

No 6044

33