

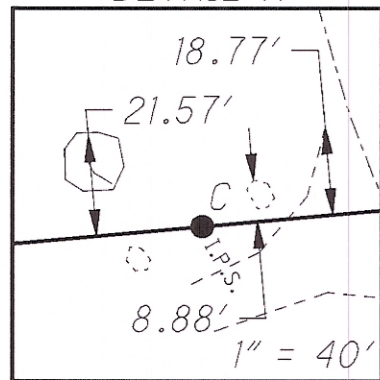
MONUMENT TABLE

POINT	NORTHING	EASTING	LATITUDE	LONGITUDE
A	517928.93	2061304.13	N39° 25' 17.6660"	W82° 10' 17.3378"
B	515206.59	2062383.02	N39° 24' 50.7197"	W82° 10' 03.7165"
C	515274.62	2063143.44	N39° 24' 51.3644"	W82° 09' 54.0239"
D	515279.75	2063201.10	N39° 24' 51.4129"	W82° 09' 53.2889"
E	515317.81	2063626.21	N39° 24' 51.7735"	W82° 09' 47.8704"
F	515070.37	2063648.32	N39° 24' 49.3270"	W82° 09' 47.6004"
G	514589.35	2063691.46	N39° 24' 44.5710"	W82° 09' 47.0736"
H	514758.44	2063411.40	N39° 24' 46.2526"	W82° 09' 50.6340"
I	514689.46	2062640.39	N39° 24' 45.5990"	W82° 10' 00.4615"
J	512706.84	2060954.15	N39° 24' 26.0639"	W82° 10' 22.0388"
K	512733.70	2060956.84	N39° 24' 26.3293"	W82° 10' 22.0034"
L	512465.42	2064438.32	N39° 24' 23.5506"	W82° 09' 37.6590"

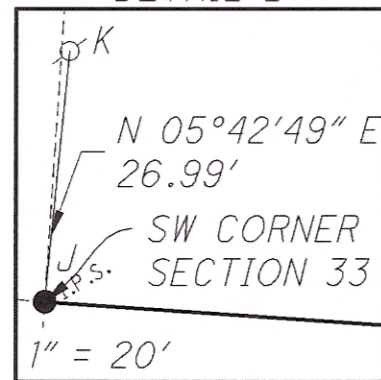
MONUMENT TABLE

POINT	NORTHING	EASTING	LATITUDE	LONGITUDE
M	512404.40	2065307.47	N39° 24' 22.9151"	W82° 09' 26.5883"
N	512344.63	2066181.59	N39° 24' 22.2914"	W82° 09' 15.4542"
O	534162.42	2062391.92	N39° 27' 58.0762"	W82° 10' 02.7135"
P	535455.59	2062473.10	N39° 28' 10.8547"	W82° 10' 01.6176"
Q	534222.14	2061544.27	N39° 27' 58.6971"	W82° 10' 13.5196"
R	528770.45	2062033.73	N39° 27' 04.7959"	W82° 10' 07.5333"
S	528729.44	2062626.40	N39° 27' 04.3690"	W82° 09' 59.9792"
T	527765.48	2062577.86	N39° 26' 54.8431"	W82° 10' 00.6435"
U	528423.60	2067296.24	N39° 27' 01.1715"	W82° 09' 00.4590"
V	523459.36	2061680.52	N39° 26' 12.3146"	W82° 10' 12.2838"
W	539839.75	2062746.47	N39° 28' 54.1768"	W82° 09' 57.9247"

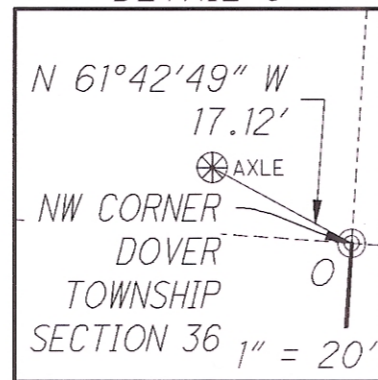
DETAIL A



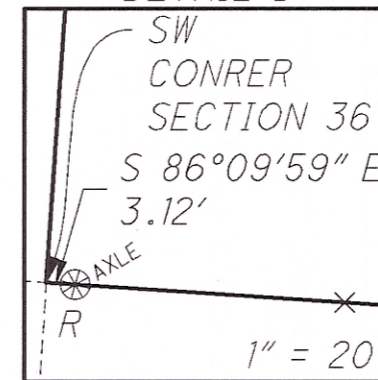
DETAIL B



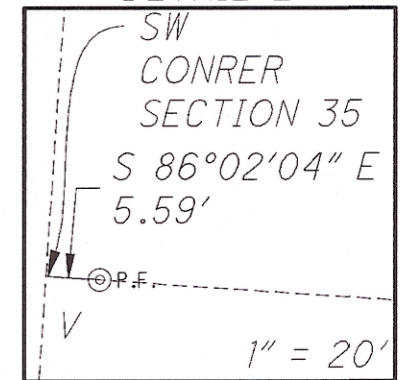
DETAIL C



DETAIL D



DETAIL E



buckleygroup
engineering + surveying

6801 SR 56
ATHENS, OH 45701
(740)592-5706
www.buckleygroup.com

SHEET 6 OF 6

PROJECT NO.	SCALE	DRAWN BY:	CHECKED BY:
18123	NTS	D.CONLEY	R.C.CANTER