

Phone 740-753-1264
Fax 740-753-1264

Description of a 3.696 Acre tract

Situate in Section 35, T-4, R-13, Lodi Township, Athens County, State of Ohio and being a part of a tract as described in Volume 262, Page 923 of the Official Records of Athens County and being more particularly described as follows:

BEGINNING at an iron pin set on grantors east line that bears South 0°04'29"East, 951.10 feet from a stone found at the Northeast corner of the Southeast corner of Section 35,

THENCE along said east line the following two courses, South 0°04'29"East, 420.90 feet to an iron pin found, South 0°32'33"West, 79.22 feet to a point,

THENCE along the north line of a 3.465 acre tract South 77°29'37"West, 374.98 feet to an iron pin found, (passing an iron pin set at 10.82 feet),

THENCE North 43°56'36"West, 120.99 feet to an iron pin found,

THENCE North 29°02'32"East, 343.71 feet to an iron pin set,

THENCE North 51°08'47"East, 187.48 feet to an iron pin set,

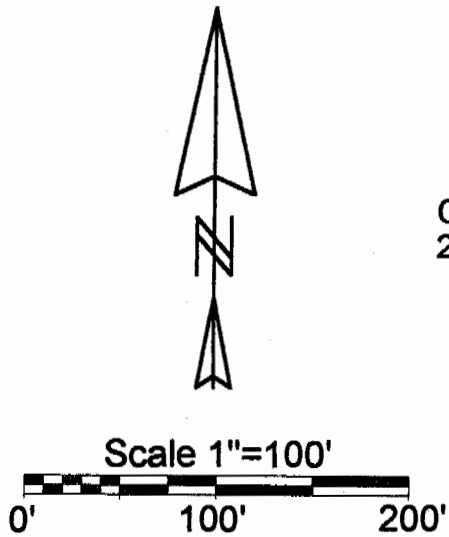
THENCE North 61°01'13"East, 157.05 feet to the point of beginning and containing 3.696 acres

Bearings are to an assumed meridian and are for angular determination only

Subject to all Easements and Rights of Way of record



Description checked for
Mathematical Accuracy
ATHENS COUNTY
ENGINEER'S OFFICE
BY: S. Plause
DATE: 5-26-00



N.E. corner of
the S.E. 1/4 of
Section 35

Couladis
259-1662 OR

Goodin
262-923 OR

Hawk
338-301

3.696 Ac.

Line	Bearing	Distance
1	S 0°32'33"W	79.22'
2	N 43°56'36"W	120.99'

Description checked for
Mathematical Accuracy
ATHENS COUNTY
ENGINEER'S OFFICE
By: *S. Claus*
DATE: *5-26-00*

- = Iron Pin Set
- = Iron Pin Found
- = Stone Found

CR-98

PLAT OF SURVEY OF A 3.696 AC. TRACT

SURVEYED FOR JOHN GOODIN

SUBDIVISION _____

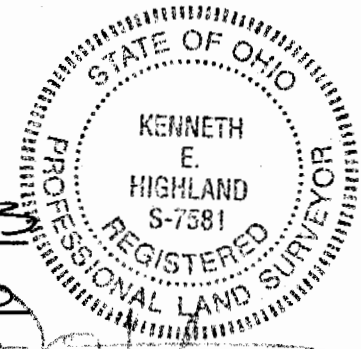
TOWNSHIP LODI SECTION 35 TOWN 4 RANGE 12

CORPORATION _____ COUNTY ATHENS STATE OHIO

SCALE 1" = 100' DATE MAY 2000

Kenneth E. Highland
80 Fayette St.
Nelsonville, Ohio 45764
740-753-1264

Kenneth E. Highland S-7581



LOD # 35